

## **VAQUITA USER MANUAL**

Feb, 2019 Version 1.1

Copyright © 2019 ePropulsion All Rights Reserved



# Acknowledgements

---

Thanks for choosing ePropulsion products, your trust and support in our company are sincerely appreciated. We are dedicated to providing high-performance underwater thrusters, as well as electric outboards, reliable lithium batteries and accessories.

Welcome to visit [www.epropulsion.com](http://www.epropulsion.com) and contact us if you have any concerns.

# Using this Manual

---

Before use of the product, please read this reference manual thoroughly to understand the correct and safe operations. By using this product, you hereby agree that you have fully read and understood all contents of this manual. ePropulsion accepts no liability for any damage or injury caused by operations that contradict this manual.

Due to ongoing optimization of our products, ePropulsion reserves the rights of constantly adjusting the contents described in the manual. ePropulsion also reserves the intellectual property rights and industrial property rights including copyrights, patents, logos and designs, etc.

This manual is subject to update without prior notice, please visit our website [www.epropulsion.com](http://www.epropulsion.com) for the latest version. If you find any discrepancy between your products and this manual, or should you have any doubts concerning the product or the manual, please visit [www.epropulsion.com](http://www.epropulsion.com). ePropulsion reserves the rights of final interpretation of this manual.

This manual is multilingual, in the case of any discrepancy in interpretation of different language versions, the English version shall prevail.

# Symbols

---

The following symbols will help to acquire some key information.

 Important instructions or warnings

 Useful information or tips

# Product Identification

Below Figure 0-1 indicates the position of the serial number for VAQUITA Battery. Figure 0-2 and Figure 0-3 indicate the position of serial numbers for VAQUITA Remote Control and VAQUITA Motor.

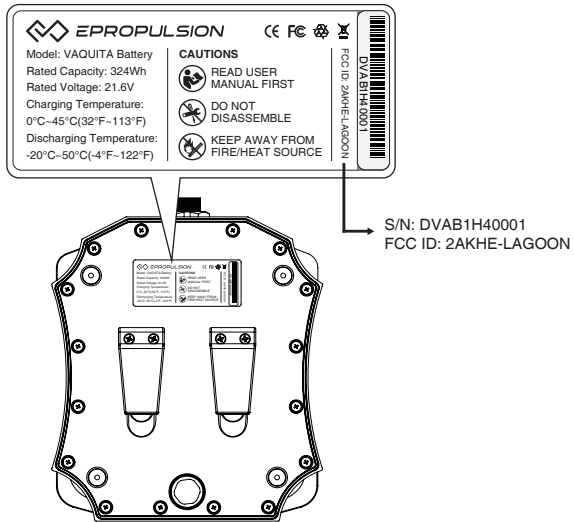


Figure 0-1

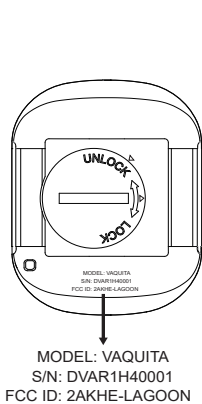


Figure 0-2

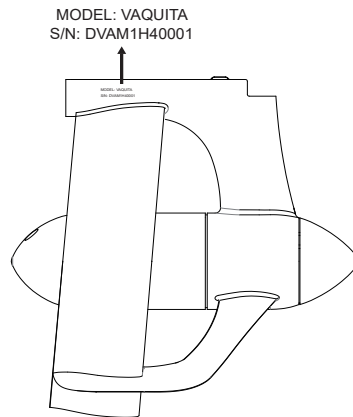


Figure 0-3



The above three parts have different serial numbers. Please record all the three serial numbers for access to maintenance or other after-sale services.

# Table of Contents

---

- Acknowledgements ..... 1**
- Using this Manual..... 1**
- Symbols ..... 1**
- Product Identification ..... 2**
- 1. Important Safety Instructions ..... 5**
- 2. Product Overview..... 7**
  - 2.1 In the Package ..... 7
  - 2.2 Parts and Diagrams ..... 9
  - 2.3 Technical Data..... 11
  - 2.4 Declaration ..... 13
- 3. Installation ..... 15**
  - 3.1 Installation of VAQUITA Motor ..... 15
    - 3.1.1 Installing with Standard Adapters ..... 15
    - 3.1.2 Installing with VAQUITA Universal Adapter ..... 17
  - 3.2 Fixing VAQUITA Battery ..... 19
  - 3.3 Connecting Battery to Motor ..... 21
  - 3.4 Attaching VAQUITA Remote Control..... 21
- 4. Operation ..... 23**
  - 4.1 Using the Battery ..... 23
    - 4.1.1 Battery LEDs ..... 23
    - 4.1.2 Switching On/Off VAQUITA Battery..... 25
    - 4.1.3 Charging the Battery..... 26
  - 4.2 Use of VAQUITA Remote Control..... 27
    - 4.2.1 Switching On/Off the Remote Control ..... 27
    - 4.2.2 Controlling the Motor..... 28
    - 4.2.3 Replacing Battery for Remote Control ..... 29
  - 4.3 Pairing Remote Control with Battery ..... 30
- 5. Detaching VAQUITA Motor ..... 31**

**6. Transport and Storage..... 37**  
    6.1 Transport ..... 37  
    6.2 Storage..... 37

**7. Routine Maintenance ..... 38**

**8. Warranty..... 39**  
    8.1 Warranty Policies..... 39  
    8.2 Out of Warranty ..... 40  
    8.3 Warranty Claim Procedures ..... 40

# 1. Important Safety Instructions ---

This user manual contains important information pertaining equipment installation and safety instructions. Before starting to use the product, please read this manual fully and pay special attention to the following safety instructions:

## Before Operation

- Users who are allowed to use VAQUITA should be in good physical state, know how to swim and how to paddle.
- Always wear a life vest and always wear a leash when operating.
- Always take a paddle on board.
- Only adults who have fully read and totally understood this manual are allowed to operate this product.
- Check the status and function of VAQUITA before use and make sure all components are in good condition.
- Make sure the VAQUITA Motor is securely mounted on the bottom of the SUP board/kayak, etc. before operation.
- Make sure the remote control works well by wireless connection.
- Familiarize yourself with all the operations related to this product.
- Check applicable local water safety rules and boating regulations before use.
- Observe the surrounding environment in advance to avoid unfavorable conditions such as strong winds, waves, currents or rapids, etc.

## During Operation

- Do not rotate the motor in shallow water or out of water. Only operate it in water with enough depth and avoid all possible obstacles.
- Follow the correct operating instructions in this user manual.
- Attach VAQUITA remote control to your wrist or paddle for easy access.
- Do not run the motor if swimmers or other watercrafts are near the boat.
- Press the on/off button on the VAQUITA remote control immediately in emergency situations.
- Observe local water safety rules and boating regulations while operating the product.
- Do not run the motor under the influence of alcohol or drugs.
- Switch off VAQUITA Battery and VAQUITA remote control before detaching

VAQUITA Motor from the SUP board/kayak, etc.

- Make sure the power cable connector is tightened before use, otherwise severe damage may occur to the product during operation.

### Handling

- **Never run the motor in the air as it will seriously shorten the motor service life, generate loud noise and possibly cut fingers. Even if users unintentionally run the motor in the air, the motor will stop running immediately in 5 seconds for protective purpose, and the motor may be unable to start normally. Never get close to the running propeller.**
- Never dismantle or repair the product on your own or by any unauthorized third party.
- Keep it away from flammable gas, corrosive and other dangerous substance.
- Store it in a dry and ventilated place without direct sun/rain exposure and store it far away from dangerous substances.
- Pay attention to battery safety and operate it in the right way to avoid short-circuit, overheat, overcharge and over-discharge. Never drop the battery.
- Only VAQUITA Charger designed for the battery. Other chargers may lead to shortened runtime, premature battery failure, or even fire or explosion.
- Clean VAQUITA Motor with fresh water after each use.

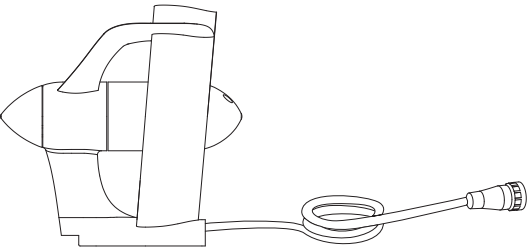
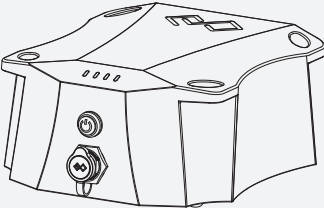
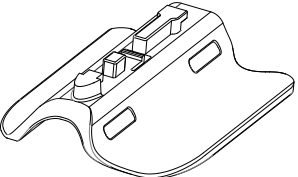


# 2. Product Overview

VAQUITA is a set of electric propulsion kit designed for SUP board/kayak. VAQUITA is compatible with nearly all SUP boards, kayaks, canoes, etc. This product mainly consists of VAQUITA Motor, VAQUITA Battery and VAQUITA Remote Control. This small but mighty propulsion kit supports over 1 hour of full-speed running, perfectly backing you up whether you need a rest or want to go further.

## 2.1 In the Package

Unpack the package and check if there is any damage caused during transport. Check all the items inside the package against the below list. If there is any transport damage or lack of any listed item, please contact your dealer immediately.

No.	Items	Qty./Unit	Figure
1	VAQUITA Motor	1 set	
2	VAQUITA Battery	1 set	
3	VAQUITA Universal Adapter	1 piece	

4	US Fin Box Adapter (standard)	1 set	
5	Inflatable SUP Fin Box Adapter (standard)	1 set	
6	Ratchet Strap	2 pieces	
7	VAQUITA Battery Charger	1 set	
8	VAQUITA Remote Control (w/ a loop band)	1 set	
9	User Manual, Quick Start, Warranty Card, Quality Certificate & Lanyard	1 set (in a zip-lock bag)	

Attach the VAQUITA Motor to the bottom of the watercrafts by using a standard adapter which is compatible with the fin box on the watercraft, or using the VAQUITA universal adapter for watercrafts that have different fin boxes or without a fin mounting system.

Other accessories mentioned in this manual are not included in the package. Please place additional orders if you need them.

Save the original package for transport and storage.

# 2.2 Parts and Diagrams

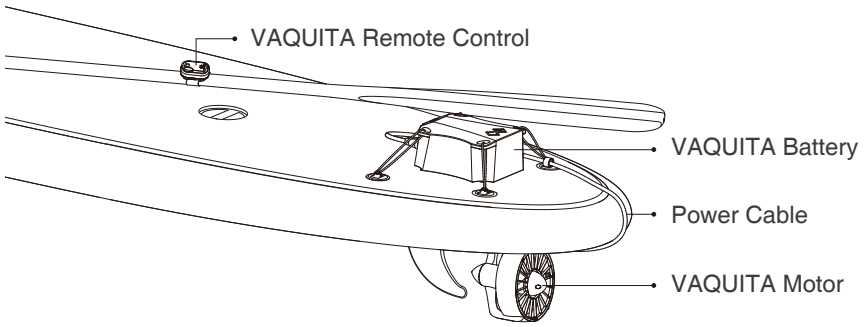


Figure 2-1 Overview

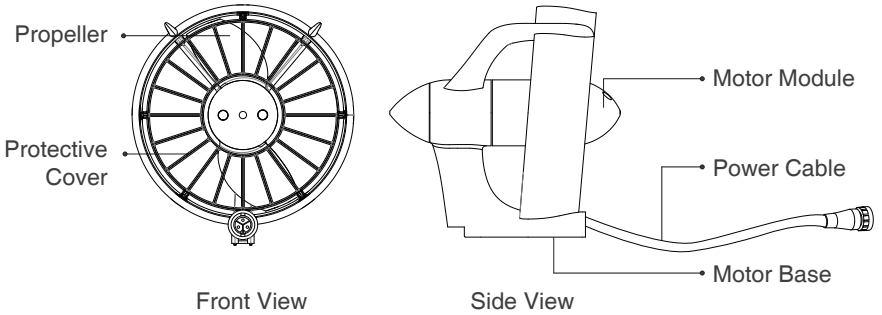


Figure 2-2 VAQUITA Motor

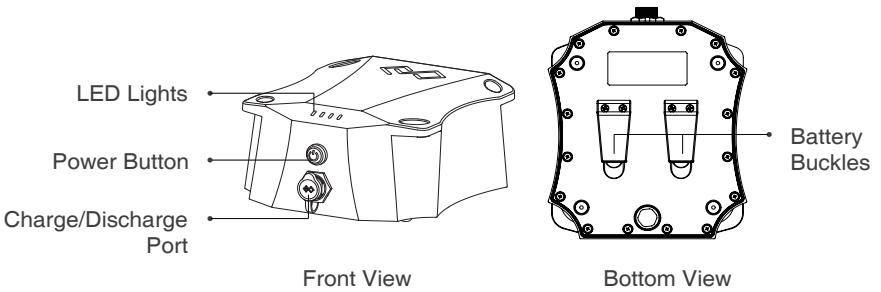


Figure 2-3 VAQUITA Battery

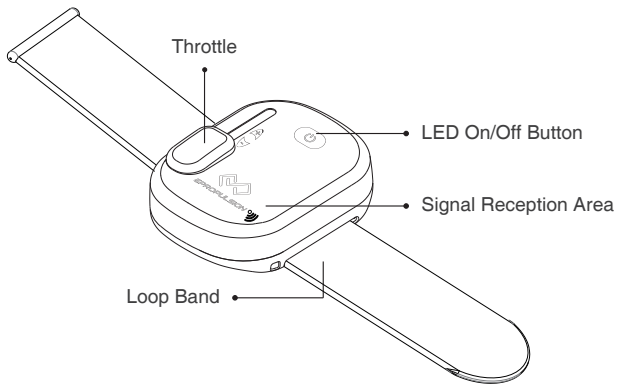


Figure 2-4 VAQUITA Remote Control

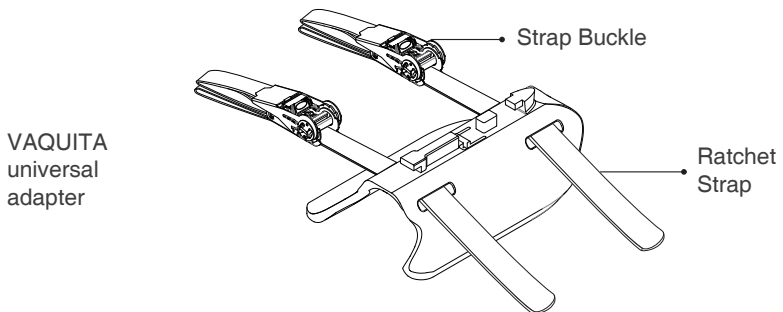
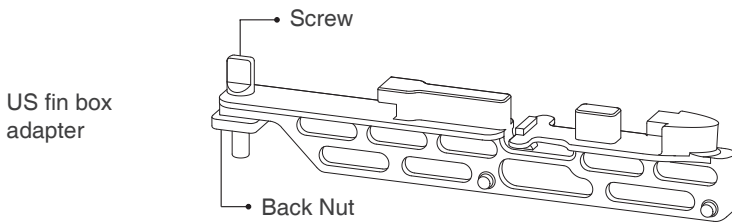
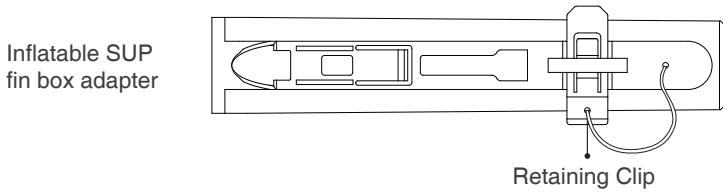


Figure 2-5 Adapters


## 2.3 Technical Data

<b>VAQUITA General Data</b>	
Input power	300 W
Static thrust	23 lbs.
Total weight	5 kg / 11 lbs.
VAQUITA Motor weight	1.5 kg / 3.3 lbs.
Dimension	182 mm x 168 mm x 182 mm / 7.2" x 6.6" x 7.2"
Propeller diameter	150 mm / 5.9"
Propeller pitch	115 mm / 4.5"
Maximum Rotation Speed	1800 rpm

<b>VAQUITA Battery</b>	
Battery type	Lithium-ion
Rated capacity	324 Wh
Rated voltage	21.6 V
Final charging voltage	25.2 V
Cutoff voltage	18 V
Weight	2.5 kg
Cycle life	≥500 cycles (80% of rated capacity)
Charging time	3 hrs.
Temperature range	Charging: 0°C ~ 45°C / 32°F ~ 113°F Discharging: -20°C ~ 50°C / -4°F ~ 122°F
Dimension	216 mm x 178 mm x 100mm / 8.5" x 7" x 4"

<b>VAQUITA Remote Control</b>	
Type	Wireless
Throttle speed	8 levels
Forward/Reverse control	Forward control available
Power source	One in-built button cell (CR2032)

<b>VAQUITA Charger</b>	
Input power	180 W
Input voltage (AC)	100 V ~ 240 V
Input frequency	50 Hz / 60 Hz
Input current	≤ 3 A
Output voltage (DC)	25.2 V / 7 A
Temperature range	Operating: -29°C ~ 45.5°C / -20.2°F ~ 113.9°F Storage: -40°C ~ 75°C / -40°F ~ 167°F
Efficiency	≥87%

 Battery performance is dependent on many external factors such as operating environment and conditions of SUP board/kayak, etc.

## 2.4 Declaration

### Object of the Declaration:

Product: Kayak/SUP Motor

Model: VAQUITA, VAQUITA S

**Company Name:** Dongguan ePropulsion Intelligence Technology Limited

### Company Address:

Room 202, Bldg.17A, Headquarter No.1, 4th XinZhu

Road, SongShan Lake District, Dong Guan City, Guang Dong Province,  
China

The object of the declaration is in conformity with the following directives:

EMC-directive 2014/30/EU

MD-directive 2006/42/EC

RED Directive 2014/53/EU

Applied standards:

EN 55014-1:2006+A1:2006+A2:2011 EN 55014-2:2015

EN 61000-3-2:2014 EN 61000-3-3:2013

EN 60204-1: 2016 EN ISO 12100: 2010

EN 301 489-3: V2.2.0 EN 301 489-1: V2.2.1

The original certificate was issued by

Shenzhen An-Teng Testing Service Co., Ltd. in Shenzhen, China.

CE Test Report No.: ATT11803260080E, ATT11803260080M,  
ATT11803260080D

Issued Date: March 27, 2018

This device complies with part 15 of the FCC Rules: Operation is subject to the following two conditions:

- (1) This device may not cause harmful interference and,
- (2) This device must accept any interference received, including interference that may cause undesired operation.

FCC Test Report No.: GTS201803000218F02

Issued Date: March 26, 2018

## FCC Statement

This equipment has been tested and found to comply with the limits for a Class B digital device, pursuant to Part 15 of the FCC Rules. These limits are designed to provide reasonable protection against harmful interference in a residential installation. This equipment generates uses and can radiate radio frequency energy and, if not installed and used in accordance with the instructions, may cause harmful interference to radio communications. However, there is no guarantee that interference will not occur in a particular installation. If this equipment does cause harmful interference to radio or television reception, which can be determined by turning the equipment off and on, the user is encouraged to try to correct the interference by one or more of the following measures:

- Reorient or relocate the receiving antenna.
- Increase the separation between the equipment and receiver.
- Connect the equipment into an outlet on a circuit different from that to which the receiver is connected.
- Consult the dealer or an experienced radio/TV technician for help.

The manufacturer is not responsible for any radio or TV interference caused by unauthorized modifications to this equipment. Such modifications could void the user's authority to operate the equipment.

Signature: 陶师正

Shizheng Tao, Chief Executive Officer & Cofounder of  
Dongguan ePropulsion Intelligence Technology Limited



### 3. Installation

---

VAQUITA comes with two adapters that can be fit into two major standard fin boxes which are widely used on most SUP boards and a universal adapter for kayaks and any small watercraft without standard fin boxes.

#### 3.1 Installation of VAQUITA Motor

Before installing the VAQUITA Motor to a SUP board/kayak, etc., note that the SUP board/kayak, etc. must be strong enough to support the VAQUITA Motor and VAQUITA Battery.

##### 3.1.1 Installing with Standard Adapters

Two standard adapters are available in the package: US fin box adapter and inflatable SUP fin box adapter. These two standard adapters have compatible fin boxes. Choose one and follow the below steps to attach VAQUITA Motor to the standard fin box.

###### a. Installing with US fin box adapter

- 1) Attach the US fin box adapter onto the motor base (Figure 3-1). First align the adapter with the motor base; then insert the adapter into the motor base until it is well attached.

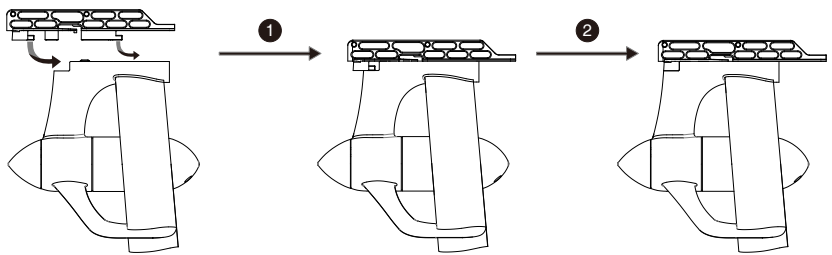


Figure 3-1

- 2) Turn the SUP board/kayak bottom up to attach the US fin box adapter.
  - ① Place the back nut into the fin box and move the nut to the end close to the tail of the SUP board/kayak, etc.
  - ② Insert the adapter into the fin box in the direction of arrow, and slide it in until it fully enters;

- ③ Move the nut in the slot to align it with the hole of the adapter, then insert the screw through the hole and into the back nut.
- ④ VAQUITA motor is well attached to the US fin box.

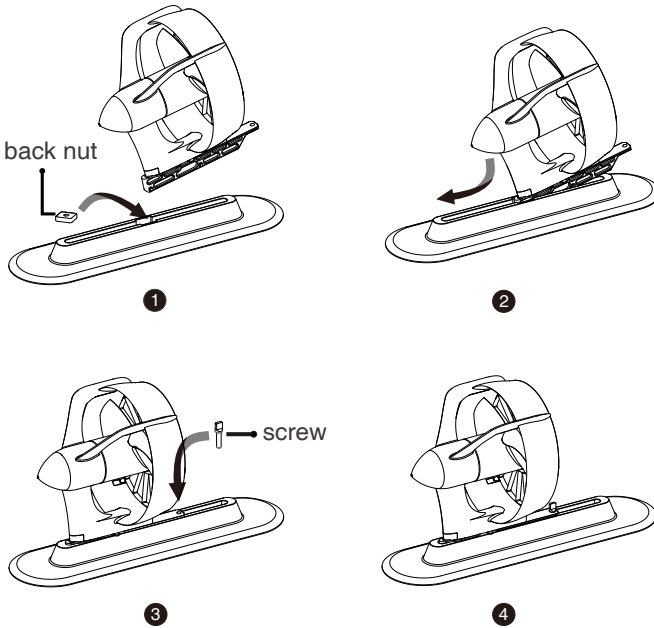


Figure 3-2

 The propeller should face the tail of the SUP board/kayak, etc.

**b. Installing with inflatable SUP fin box adapter**

- 1) Attach an inflatable SUP fin box adapter onto the motor base (Figure 3-3). First align the adapter with the motor base; then insert the adapter into the motor base until it is well attached.

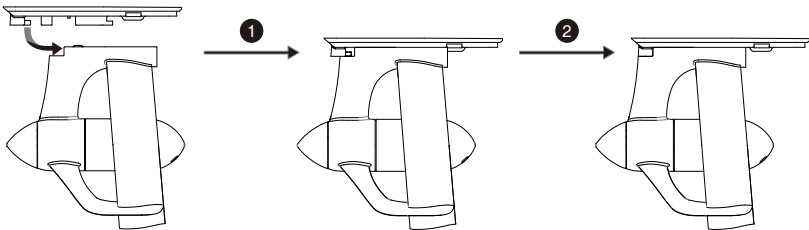


Figure 3-3

2) Turn the SUP board/kayak bottom up to attach the inflatable SUP fin box.

- ① Slide the standard adapter fully into the fin box.
- ② Insert the retaining clip to lock the adapter (Figure 3-4).

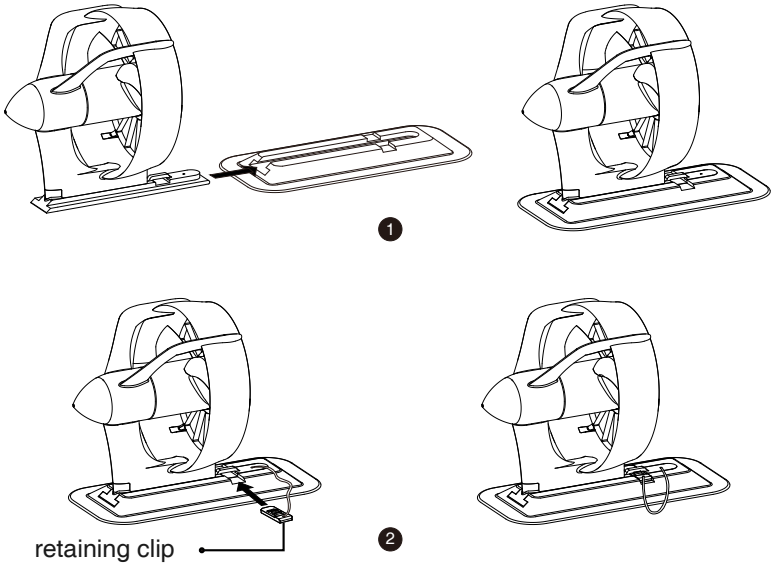


Figure 3-4

**!** Do not force the adapter into the fin box. If the adapter can't fit into the fin box properly, slide it out and check if the installing direction is correct.

**💡** The propeller should face the tail of the SUP board/kayak, etc.

**💡** Make sure the fin box is clean before installing the motor.

### 3.1.2 Installing with VAQUITA Universal Adapter

If the SUP board/kayak, etc. has no fin box or if both the two standard adapters can't fit into the existing fin mounting system, it's suggested to use VAQUITA universal adapter to attach VAQUITA Motor.

- ① Turn the SUP board/kayak, etc. bottom up.
- ② Penetrate the two ratchet straps through the side opening of the universal adapter and attach the universal adapter onto the relatively flat part on the bottom.

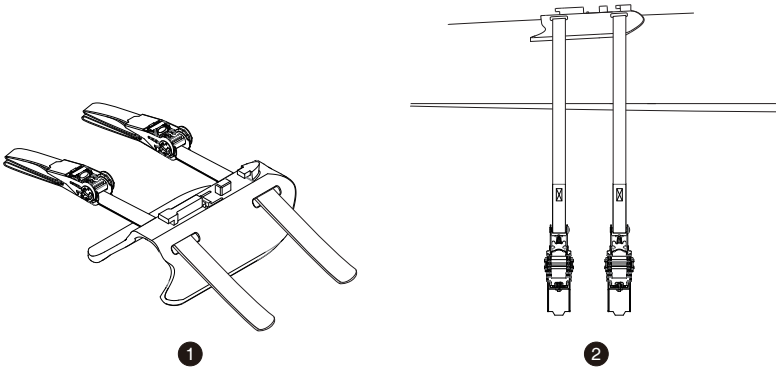


Figure 3-5

- ③ Penetrate the strap into the buckle.
- ④ Repeat unfolding and folding the buckle to tense the strap. Fold the buckle when the strap is tensed.

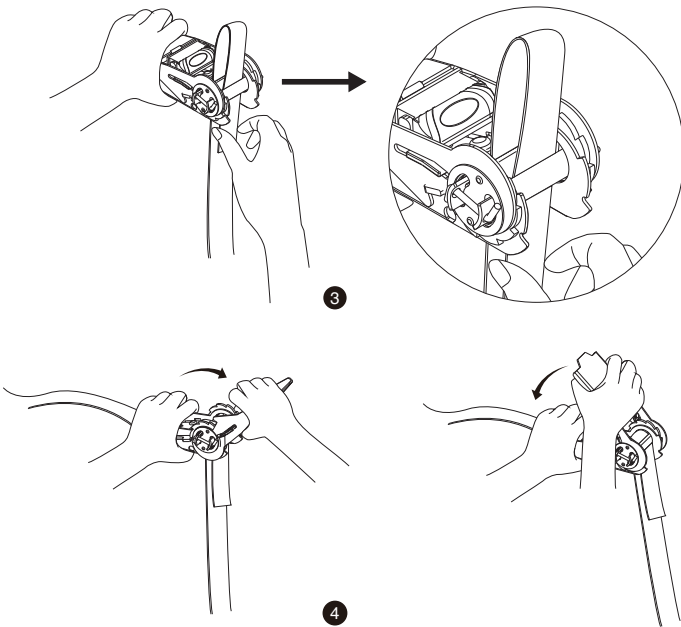


Figure 3-6

- ⑤ Attach the motor to the universal adapter as shown in Figure 3-7.

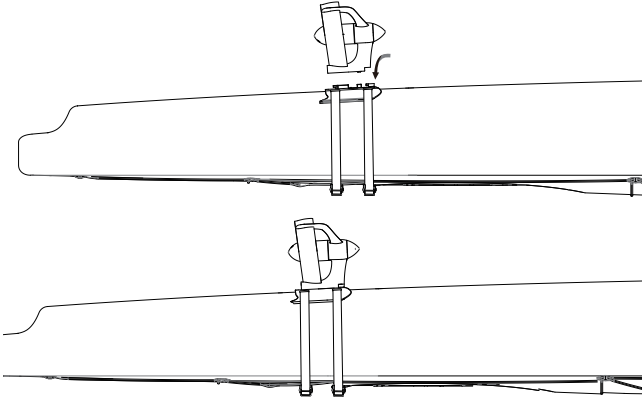


Figure 3-7

- 💡 The propeller should face the tail of the SUP board/kayak, etc.
- 💡 While installing the universal adapter, make sure the adapter is in alignment with the bottom centerline of the SUP board/kayak, etc.

## 3.2 Fixing VAQUITA Battery

### a. Fixing VAQUITA Battery on SUP board

There are mainly two ways to fix VAQUITA Battery on a SUP board. For SUP board with bungee system, the battery can be fixed with bungee cords.

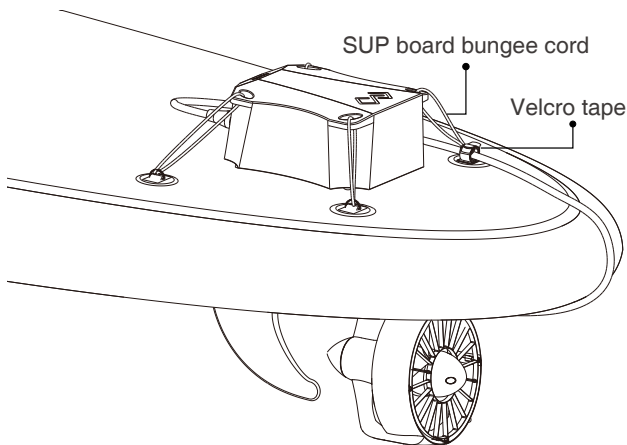


Figure 3-8 Fix the battery with bungee cords

For SUP boards without bungee system, users can make use of the buckles on the bottom of the VAQUITA Battery to clip a ratchet strap tied around the SUP board.

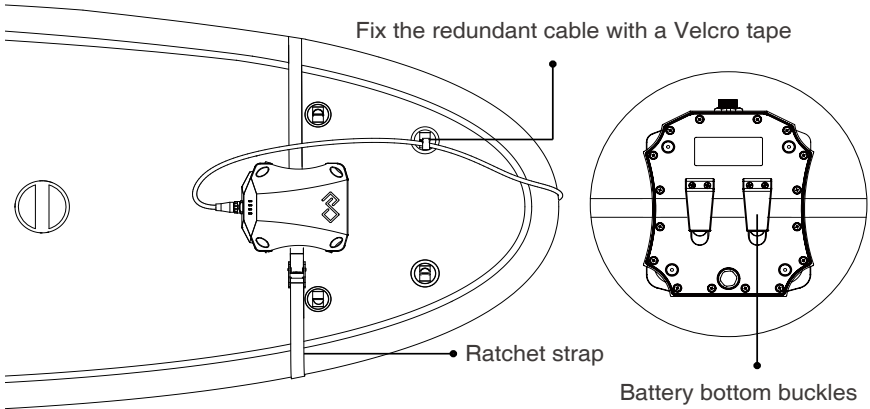



Figure 3-9 Fix the battery by ratchet strap

 Fix the redundant power cable with a Velcro tape.

**b. Fixing VAQUITA Battery on Kayaks**

For kayaks with enough cabin space, the battery can be simply placed inside the cabin. For some kayaks, the battery can also be fixed on the rear part of the kayak with its bungee cords as shown in below figure.

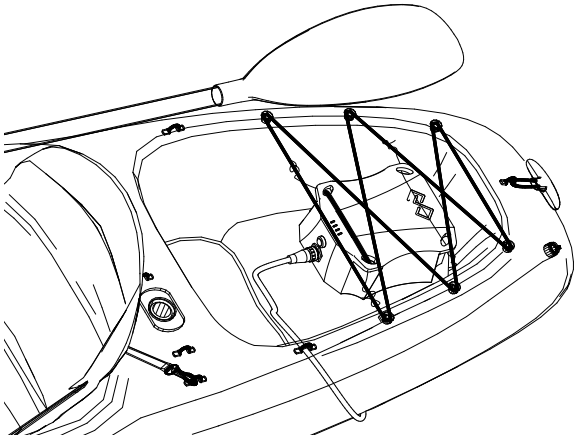


Figure 3-10  
20

### 3.3 Connecting Battery to Motor

Flip the SUP board/kayak, etc. over after the motor is firmly installed. Plug the motor cable connector into the charge/discharge port of VAQUITA Battery and tighten the connector. Fix the power cable with a Velcro tape.

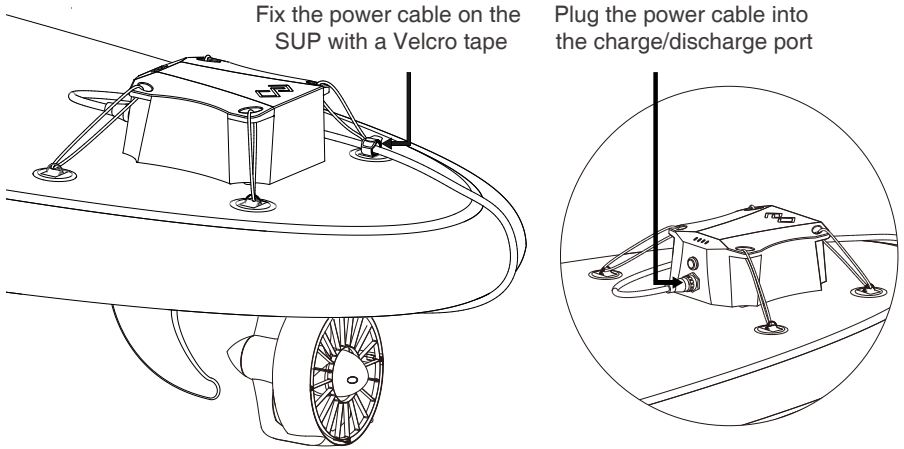


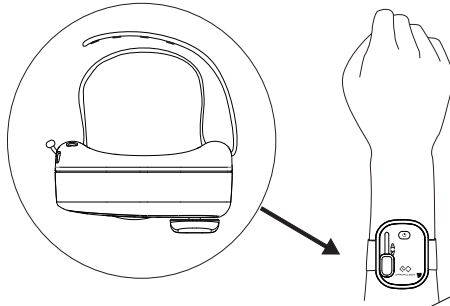
Figure 3-11

- 💡 Pay attention not to hit the thruster against the ground or other objects while turning the SUP board/kayak, etc.
- ⚠️ Make sure VAQUITA Battery is switched off and the connectors are dry before installing the motor.

### 3.4 Attaching VAQUITA Remote Control

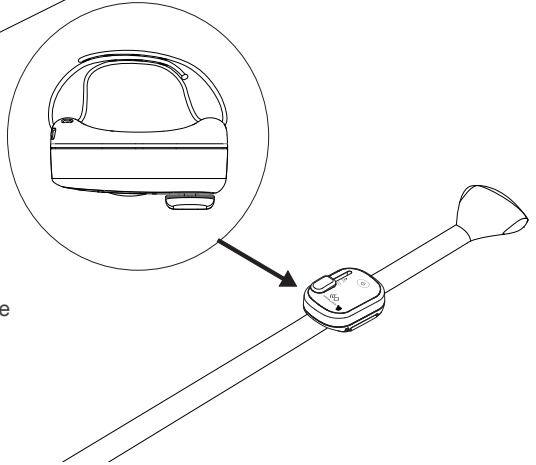
VAQUITA Remote Control can be attached to a paddle or wrist for easy access. You need to penetrate the band through the side opening of VAQUITA Remote Control and bind the strap tightly around the wrist or paddle as shown in Figure 3-12.

- 💡 Make sure the band is tightly bound if you wear it or attach it to a paddle to avoid it falling into water.
- 💡 If VAQUITA Remote Control falls into water by accident, a wireless communication failure may occur and VAQUITA Motor will stop rotation at once.



**Method 1**

Wear VAQUITA Remote Control on the wrist.



**Method 2**

Attach VAQUITA Remote Control to a paddle.

Figure 3-12



# 4. Operation

To operate VAQUITA, it's critical to understand how to use the battery and remote control correctly. Read this part carefully before any operation.

## 4.1 Using the Battery

### 4.1.1 Battery LEDs

The four LEDs of VAQUITA Battery display battery level, indicate errors and show pairing status. Find the LEDs in below figure.

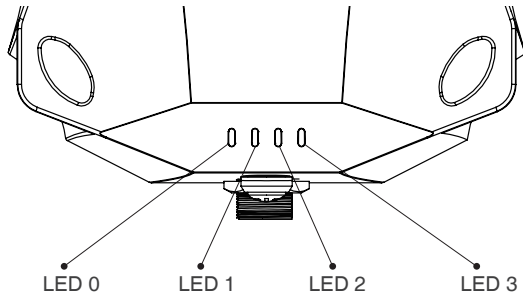



Figure 4-1

This table illustrates LED status while charging and discharging.

Battery Condition	Description	Battery Level (L-R)			
		LED 0	LED 1	LED 2	LED 3
Charging	0%~40%	★			
	40%~60%	●	★		
	60%~80%	●	●	★	
	80%~99%	●	●	●	★
	100%	●	●	●	●
Discharging	0%~20%	★	★	★	★
	20%~40%	●			
	40%~60%	●	●		
	60%~80%	●	●	●	
	80%~100%	●	●	●	●

Note: ● refers to steady light, ★ refers to flashing light (1Hz).


 If the battery is between 0% ~ 20% when discharging, all LEDs will flash simultaneously to remind you to charge the battery ASAP.


If the LEDs present abnormal flashing states, please check the below troubleshooting table for proper solutions.

Abnormal LED States				Errors	Solutions
L0	L1	L2	L3		
☆	☆			Error1: VAQUITA Remote Control communication failure	1. Make sure the remote control is powered on. 2. Please refer to <i>section 4.3 Pairing VAQUITA Remote Control with VAQUITA Battery</i> to conduct pairing.
		☆	☆		
		☆		Error2: VAQUITA Battery communication failure	Please restart the VAQUITA Battery.
		☆	☆	Error3: Other errors of the battery	Please restart the VAQUITA Battery.
	☆	☆	☆	Error4: VAQUITA Battery over-temperature	Stop operation and wait until the temperature falls within the normal operating temperature range.


Note: ☆ refers to flashing light (an interval of 0.2s, a frequency of 5Hz).

 If error1 occurs, L0 and L1 flash alternately with L2 and L3.

 If an error occurs in a non-charging state, the LEDs will display the battery level (for 3s) and the error (for 3s) alternately.

 If multiple errors occur simultaneously, the errors will be displayed in this priority sequence: Error4 → Error3 → Error1 → Error2.

 Error4 VAQUITA Battery over-temperature may occur during charging.

 If the error persists, please consult the authorized dealers for help.

## 4.1.2 Switching On/Off VAQUITA Battery

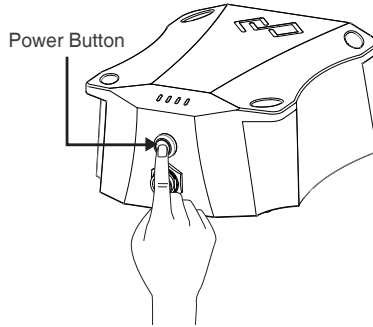


Figure 4-2

The below table indicates how to switch on/off VAQUITA Battery.

Operation	Description
Switch on	<p>In power-off state, press the power button and hold until all LEDs light up one by one. Then release the button.</p> <p>💡 The battery will fail to be switched on if the power button is released before all LEDs light up.</p>
Switch off	<p>In power-on state, press the power button and hold until all LEDs light off one by one. Then release the button.</p> <p>💡 The battery will fail to be switched off if the power button is released before all the four LEDs light off, and all the four LEDs will flash simultaneously.</p>

- ⚠️ Before mounting VAQUITA Motor, make sure VAQUITA Battery is switched off, and the connectors are dry.
- ⚠️ Before switching on VAQUITA Battery, make sure VAQUITA Motor is safely mounted on the bottom of the SUP board/kayak, etc.
- 💡 If no electrical activity is detected within an hour after the battery is switched on, the battery will enter sleep mode automatically, and the LEDs will all go out. The battery should be restarted if it is going to be used again.
- 💡 If communication breaks (eg. the remote control is turned off), the battery LEDs will flash in pair. When communication resumes, the LEDs will display real-time battery level.

### 4.1.3 Charging the Battery

#### Important notes before charging

- Only use VAQUITA Charger to charge VAQUITA Battery. Do not use any third-party chargers.
- Only charge the VAQUITA Battery in within 0°C~45°C (32°F~113 °F).
- Avoid water contact during charging process.
- Avoid direct sun/rain exposure during charging process.
- Do not overcharge the battery.
- Keep the battery away from flammable substance like a carpet or wood during charging process.
- In case of emergency, please stop charging the battery immediately.

Charge VAQUITA Battery following the below steps:

- 1) Power off the battery, disconnect the battery power cable with the motor. Remove the battery off the SUP board/kayak and take it to a dry and safe place.
- 2) Plug the output cable of VAQUITA Charger into the charge/discharge port of VAQUITA Battery and tighten the connector. Then plug the input cable of VAQUITA Charger into the socket. Please refer to 4.1.1 Battery LEDs for LED charging status.

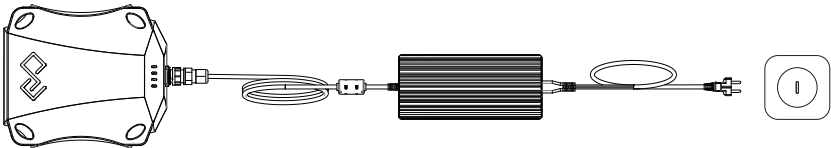




Figure 4-3

Indicator	Normal Status	Description
Charger indicator	Solid red light	The charger works well.
	Solid green light	The charger works well but has not been plugged into the power socket, or the battery has been fully charged.

 It is recommended to fully charge the battery before each use as self-discharge may occur in the process of transportation and storage.

 It takes about 3 hours to fully charge a depleted battery. If fully charged, the LEDs will light off in half an hour.

## 4.2 Use of VAQUITA Remote Control

### 4.2.1 Switching On/Off the Remote Control

**⚠** Before switching on the remote control, please check to

- make sure the throttle is at zero position.
- make sure the motor is securely attached to the SUP board or kayak.

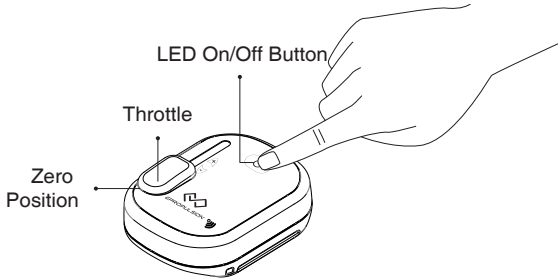


Figure 4-4

Switch On/Off	Operation	LED	Buzzer
<b>Switch on</b>	Short press on/off button	On	One beep
<b>Switch off</b>	Press on/off button for 3s	Off	One beep

**⚠** While switching on the remote control, if it beeps every 1s for 5 successive times, it is warning the remote control is running out of power. After the low battery warning, the remote control will resume normal and can last only for a short period of time. Please prepare a new button cell (model: CR2032) and replace the battery as soon as possible. Please refer to *section 4.2.3* to learn how to replace the button cell.

**💡** If it is not at the pairing mode, but the LED is flashing quickly, it is warning that there is a communication failure, and the remote control will turn off in 5 minutes automatically.

**💡** If the throttle is not at zero position before switching on the remote control, after switched on, the LED will flash slowly to indicate dislocation of throttle. Return the throttle to zero position, and the LED will resume normal.

**💡** If the remote control is switched on but without any operation for 30 minutes, it will switch off automatically.

⚠ Press the on/off button on the VAQUITA remote control to stop the motor immediately in emergency situations.

⚠ Never get close to the running propeller to avoid injury.

## 4.2.2 Controlling the Motor

⚠ If the throttle is not at zero position when switching on the remote control, the LED will flash slowly. Please return the throttle to zero position first then starting the motor, otherwise you will fail to start the motor.

Operations	Description	LED
<b>Speed control</b>	Slide the throttle forward to speed up and, slide the throttle backward to slow down. (Figure 4-5)	On
<b>Stop</b>	a. Normal condition: Slide the throttle back to zero position, and the motor will stop slowly.	On
	b. In emergency: Short press the remote's on/off button, and the motor will stop immediately (throttle not at zero position).	Flash

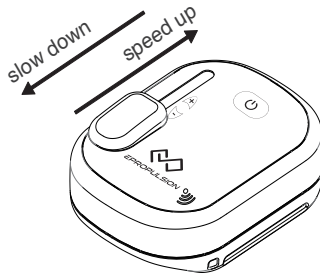




Figure 4-5

### 💡 Restart after stop:

- In normal conditions, just slide the throttle forward to speed up.
- For emergency stop, first reset the throttle to zero position then restart.

 If the remote control falls overboard by accident, the system will stop immediately to protect you.

 If there is not any operation for 30 minutes after the motor is stopped, the remote will switch off automatically.

### 4.2.3 Replacing Battery for Remote Control

VAQUITA Remote Control is powered by an in-built battery (model: CR2032). If the remote beeps every 1s for 5 successive times when normally switching on the remote control, it indicates the remote control is running out of power, and it is necessary to replace a new button cell of the same type.

Replace a new button cell by below steps:

**Step1:** Screw the battery cover counterclockwise (from ① to ②) to unlock.

**Step2:** Open the battery cover and replace a new button cell with the "+" side up.

**Step3:** Screw the cell cover clockwise to lock.

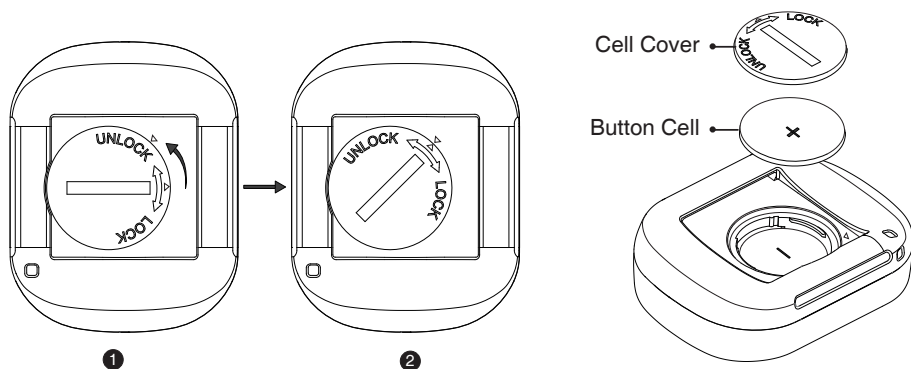



Figure 4-6

## 4.3 Pairing Remote Control with Battery

VAQUITA Remote Control and VAQUITA Battery in each package are well paired prior to delivery, but if: ① the remote is a new one, or ② the battery is a new one, communication will fail and users need to build wireless communication between the remote control and the battery.

 Follow below instructions to pair. We strongly recommend you to read and understand all process before implementing pairing operation.

### Preparation

Turn off the remote control and turn on the battery.


### Entering Pairing Mode

#### Step 1 Put the Battery into Pairing Mode

- ① Press the battery power button.


All battery LEDs simultaneously enter slow flash mode. This mode lasts only a few seconds, during which execute ②, otherwise you have to repeat ①.

- ② Press the battery power button again and hold for about 5s until all LEDs flash quickly (which indicates the battery has entered pairing mode successfully). Then release the button.

 The battery's pairing mode only continues for a limited period of time, so execute step 2 during this period, otherwise pairing fails.

#### Step 2 Put the Remote Control into Pairing Mode

- ① Hold the remote control close to the battery.
- ② Press and hold the remote's on/off button for 10s until it issues two beeps (to indicate the remote control has entered pairing mode). Release the button and you'll hear another beep to indicate pairing succeeds.

 Do not release the button within 10s, otherwise pairing fails.



## 5. Detaching VAQUITA Motor

After using VAQUITA, please detach VAQUITA Motor from the SUP board/kayak in correct procedures.

### Notes before detaching VAQUITA Motor.

**First**, take the VAQUITA Battery out of your SUP board/kayak, etc. by below procedures:

- 1) Long press the power button to switch off the VAQUITA Battery.
- 2) Disconnect the VAQUITA Motor with the VAQUITA Battery.
- 3) Take out the battery and place it in a dry and safe place.

**Then**, place your SUP board/kayak, etc. bottom up in a flat surface.

### a. Detaching from US fin box adapter

Step1: Loosen and take out the screw.

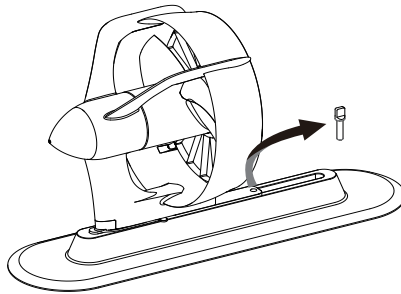


Figure 5-1

Step2: Take VAQUITA Motor and adapter out of the fin box.

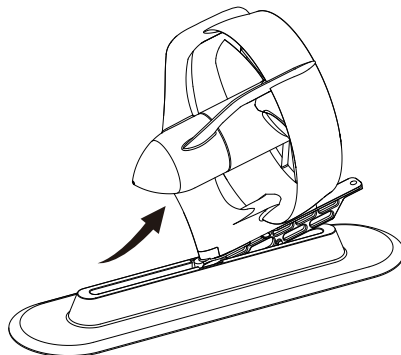


Figure 5-2

Step3: Pull the release buckles in direction ① about 2mm and slide the adapter in direction ② .

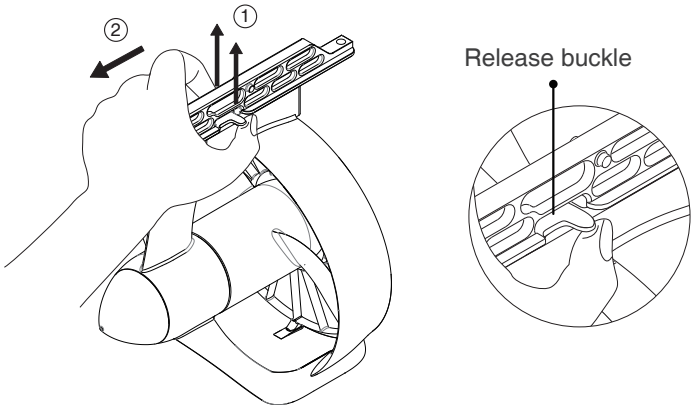


Figure 5-3

Step4: When the rear part of the adapter is slid to the position as shown in below left figure, remove the adapter.

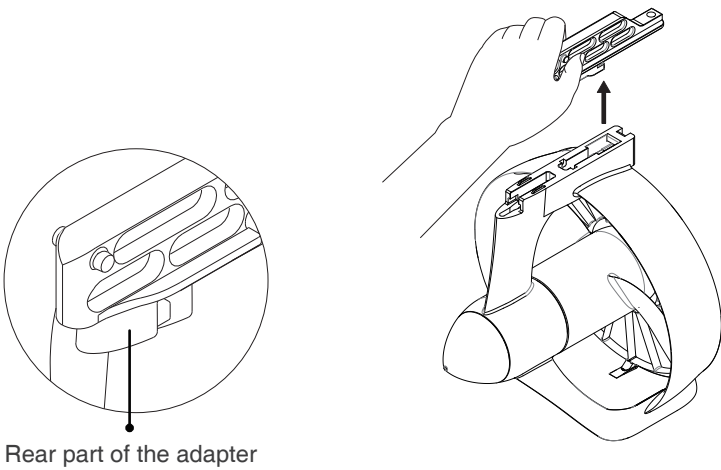



Figure 5-4

 Clean the motor and adapter with fresh water after the motor is detached.

**b. Detaching from inflatable SUP fin box adapter**

Step1: Draw out the retaining clip from the inflatable SUP fin box.

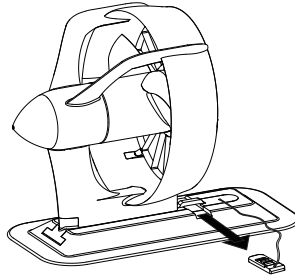


Figure 5-5

Step2: Slide VAQUITA Motor and adapter out of the fin box.

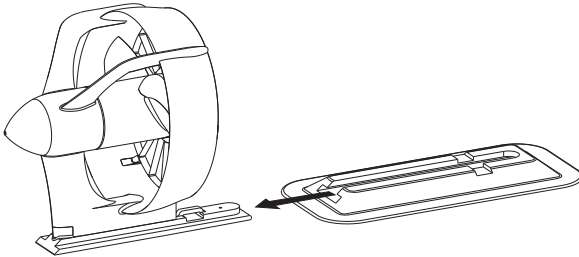


Figure 5-6

Step3: Hold the motor, then obliquely pull the release buckle about 2mm and slide the adapter backward in the direction of arrow ② .

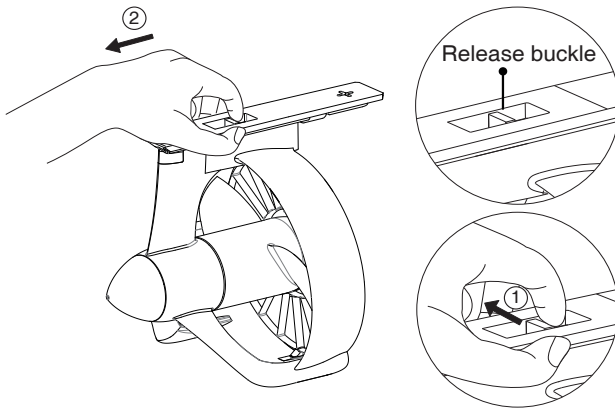


Figure 5-7

Step4: When the rear part of the adapter is slid to the position as shown in below left figure, remove the adapter.

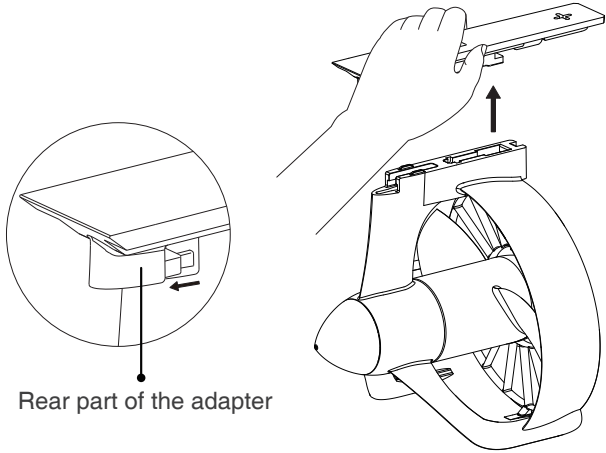

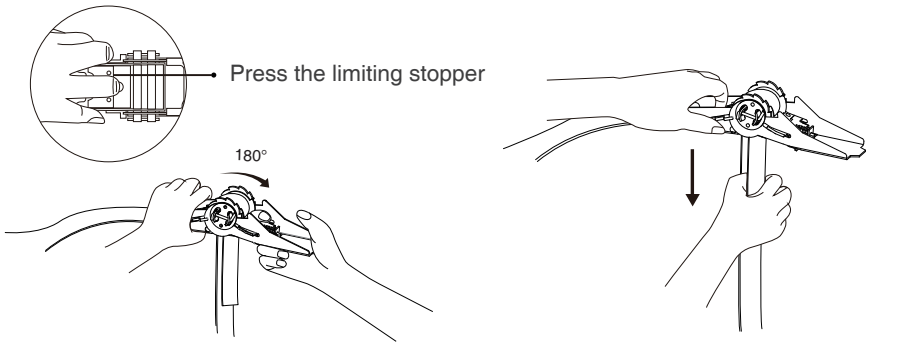


Figure 5-8

 Clean the motor and adapter with fresh water after getting them detached.

**c. Detaching from universal adapter**

Step1: Loosen the ratchet strap buckles (Figure 5-9).



First, press the limiting stopper and unfold the strap buckle by 180°.

Second, pull the longer side of the strap.

Figure 5-9

Step2: Detach VAQUITA universal adapter and VAQUITA Motor from the SUP board/kayak (Figure 5-10).

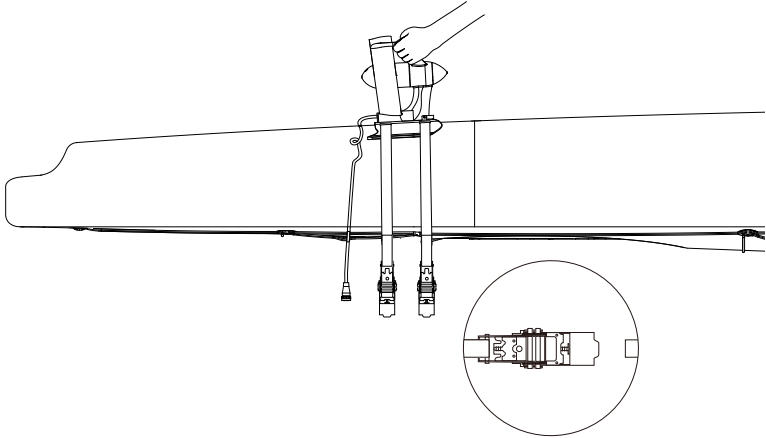



Figure 5-10

 Hold VAQUITA Motor while loosening the ratchet strap.

Step3: Hold the motor, then obliquely pull the release buckle about 2mm and slide the universal adapter in the direction of arrow ② .

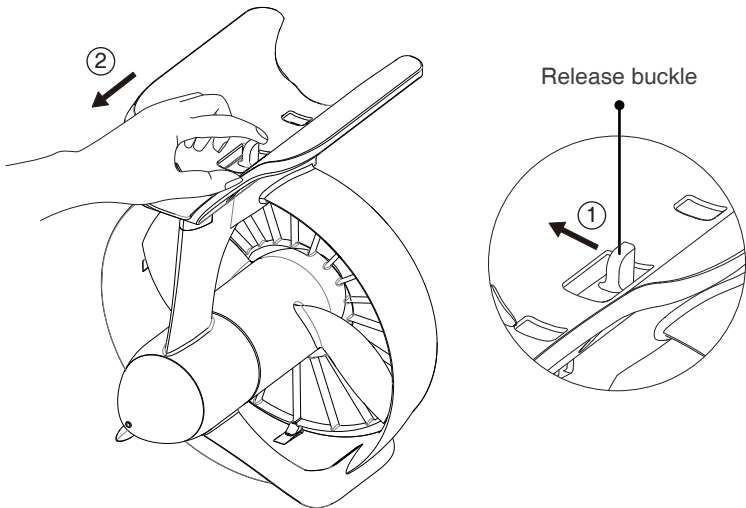


Figure 5-11

Step4: When the rear part of the universal adapter is slid to the position as shown in below left figure, take out the adapter.

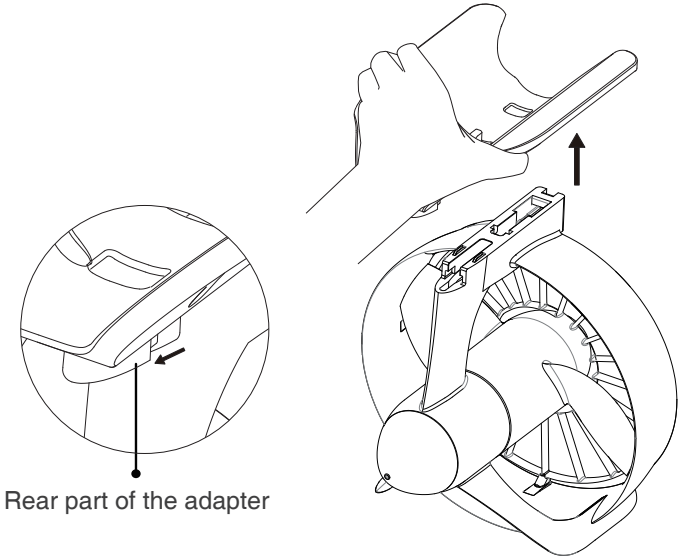


Figure 5-12


- 💡 If you are not going to use the universal adapter very soon, it's advised to detach the ratchet straps from the adapter.
- 💡 Clean the motor and adapter with fresh water after getting them detached.

# 6. Transport and Storage

---

## 6.1 Transport

For long-distance transport, please apply the original package of VAQUITA to pack the product prior to delivery.

 Important notes before transport:

- Check and ensure the package is intact without any damage.
- Avoid violent vibration, strike or squeeze during transport. Get adequate damping protection measures before transport.
- Do not expose VAQUITA Battery to the sun or rain during transport.
- Check applicable laws and regulations before transport.

## 6.2 Storage

If you are not going to use VAQUITA for a long time, it is advised to clean and check it prior to storage. It is recommended to pack VAQUITA with its original package for storage.

 Important notes before storage:

- Make sure that each part of the product is dry before storing it in the package.
- Get adequate damping protection before storage.
- Store VAQUITA Battery in a clean, dry and well-ventilated area without direct sun exposure.
- Avoid contact with corrosive substance which may cause permanent damage, weaken or destroy the plastic of VAQUITA.
- Keep VAQUITA Battery away from any sources of fire, sparks, open flame or heat.
- Fully charge VAQUITA Battery before use after long-time storage.

## 7. Routine Maintenance

---

Various factors like operation environment (such as temperature, humidity, dust, etc.), aging and wear of internal components, will affect the performance of the product. Routine maintenance is very important for keeping VAQUITA in its optimal operating state.

- It's suggested to take VAQUITA Motor out of the water after use.
- Check the cable regularly for damage.
- Charge VAQUITA Battery after each use.
- Do not run VAQUITA Motor in the air or in shallow water.
- Do not run VAQUITA Motor in water area with thick sediment.
- Clean the exterior of VAQUITA Motor with fresh water after each use.
- Clean the debris in the cave of the adapters after each use.
- Do not drop VAQUITA Battery and avoid it from direct sun/rain exposure for a long time.
- Check the battery level on a regular basis.
- Stop discharging VAQUITA Battery and charge it soon if the battery gets low.
- Before the first time use or reuse after long-term storage, charge VAQUITA Battery to its full capacity in order to achieve its best performance.
- Only use VAQUITA Charger designed for VAQUITA Battery. Other chargers may lead to shortened runtime, premature battery failure, or even fire or explosion.
- Use the battery in moderate temperature to avoid negative effects of extreme temperature posed on battery lifespan and useful cycles.
- Once a fault occurs, deal with the problem in time to avoid any further damage. If necessary, consult the ePropulsion authorized dealer for repair or parts replacement.
- Always follow the instructions in this user manual.



## 8. Warranty





---

The ePropulsion limited warranty is provided for the first end purchaser of an ePropulsion product. Consumers are entitled to a free repair or replacement of defective parts or parts which do not conform with the sales contract. This warranty operates in addition to your statutory rights under your local consumer law.

### 8.1 Warranty Policies

ePropulsion keeps its products free of defects in material and workmanship for a limited period since the date of purchase. Once a fault is discovered, the user has the right to make a warranty claim under the warranty policies of ePropulsion.

Product	Warranty Expiry Date
VAQUITA	<b>One year</b> after the date of purchase
Repaired/Replaced Parts	<b>Three months</b> since the date of maintenance. Notes: 1. If the three-month period overlaps with the original product warranty period, the warranty against these replaced or repaired parts still expire one year after the date of purchase. 2. If the three-month period exceeds the original product warranty period, the repaired or replaced parts continue applying to warranty during the extended period.

-  In order to validate the warranty, users are required to fill in the Warranty Card in advance.
-  Keep the product label in an intact state and record the serial number on the label. Never tear the label off the product. An ePropulsion product without the original product label will not be applicable to warranty services provided by ePropulsion.
-  The warranty is valid only when the information on the Warranty Card is filled in correctly and completely.
-  Free warranty is only validated upon the presentation of legal serial

number, Warranty Card, and evidence of purchase from an authorized ePropulsion dealer.



Valid date of purchase should be established by the first-hand purchaser with original sales slip.



Free warranty is not transferable and will not be reissued.

## 8.2 Out of Warranty

Make sure the product is properly packed during delivery, the original product package is recommended. If the product got further damaged due to improper packing during delivery, the furtherly damaged part will be deemed as out of warranty coverage.

In addition, faults or damages caused by the following reasons are also excluded from warranty scope within the covered period:

- Any improper operation contradicts the user manual.
- Accident, misuse, intentional abuse, physical damage overcharging or unauthorized repair.
- Dropping, improper care or storage.



You should be noted that minor faults like normal wear and tear that pose no influence on the intended function of the product are also not covered by the warranty.




Consumables are out of warranty scope.

## 8.3 Warranty Claim Procedures

If you find your product defective, you can make a claim to your dealer following below procedures:

1. Fill in the Warranty Card correctly and completely in advance.  
Then make your warranty claim by sending it to your authorized ePropulsion service partner together with valid proof of purchase. Usually these documents are required when making a warranty claim: the Warranty Card, ex-factory serial number, and evidence of purchase.
2. Send the defective product to your authorized ePropulsion service point after getting the confirmation. Note that the label should be kept intact. You can also deliver the product to your authorized ePropulsion dealer after getting confirmation.

3. The defective components or parts will be either repaired or replaced according to the diagnosis made by the ePropulsion authorized service partner.
  4. If your warranty claim is accepted, the equipment will be repaired or replaced free of charge.
  5. After careful examination and confirmation by ePropulsion authorized dealer, the defective or faulty components will be repaired or replaced based on actual condition.
  6. In case your warranty claim be rejected (please refer to out of warranty policies), an estimated repair charge with delivery cost included will be sent for confirmation. ePropulsion authorized service point will conduct maintenance accordingly only after your confirmation.
-  If warranty expires, you can still enjoy maintenance services from authorized ePropulsion service partners with corresponding maintenance charge.





Thanks for reading this user manual.

If you have any concerns or find any problems while reading, please don't hesitate to contact us. We are delighted to offer service for you.

Dongguan ePropulsion Intelligence Technology Limited

Website: [www.epropulsion.com](http://www.epropulsion.com)

Email: [service@epropulsion.com](mailto:service@epropulsion.com)